



MADE IN EU

AC



AA



AS AE AU AR



AH



AH CATALOG

WWW.AQUAFILTER.COM

FILTER HOUSINGS



AH



AH FILTER HOUSINGS

AH FILTER HOUSINGS

TWO PART FILTER HOUSINGS	1
AH-H10K - 10" filter housings with 2 O-rings AH-H10D - 10" filter housings with 2 O-rings AH-H10B - 10" double O-ring filter housings	
	2
AH-H10C - 10" high pressure filter housings	
THREE PART FILTER HOUSINGS	3
AH-H051020 - 5", 10" and 20" three part filter housings AH-H05A - 5" three part slim filter housings	
	5
AH-H10G - 10" three part slim line filter housings	
THREE PART SPIN-DOWN FILTER HOUSINGS	6
AH-H10G - 10" three part spin-down filter housings AH-H3SLV - three part spin-down filter housings	
	7
SPECIAL TYPE FILTER HOUSINGS	8
AH-H105 - 10" high temperature filter housings AH-HSH1 - brass sediment filter AH-HM20 - RO membrane housings	
BIG BLUE FILTER HOUSINGS	9
AH-HB1D - 10" Big Blue filter housings AH-HB2D - 20" Big Blue filter housings	
BIG BLUE FILTER HOUSINGS WITH BRASS INSERTS	10
AH-HB1B - 10" Big Blue filter housings with brass inserts AH-HB2B - 20" Big Blue filter housings with brass inserts	
AH-SLIM SUPER SLIM TWO PART FILTER HOUSINGS	11



TWO PART FILTER HOUSINGS



AH-H10K 10" FILTER HOUSINGS WITH 2 O-RINGS

AQUAFILTER AH-H10K SERIES

TWO PART FILTER HOUSINGS WITH DOUBLE O-RINGS ensures maximum leak-proof performance are available in transparent or white sump, white head and are made to store broad range of 2 1/2" x 9 7/8" diameter cartridges widely available on the market. Connections are available in 1/4", and 3/8" female NPT ports.

AQUAFILTER AH-H10K SERIES FILTER HOUSINGS are WRAS certified for material and structural integrity and ideal for typical applications as pre and post-filtration for RO systems, under sink filters, counter top systems, ice machines, food service and other residential and industrial applications.

WHITE SUMP

WHITE HEAD



part no. **EG14WWAQ-4** size **1/4" NPT**

TRANSPARENT SUMP



part no. **EG14CWAQ-4** size **1/4" NPT**

AH-H10D 10" FILTER HOUSINGS WITH 2 O-RINGS

AQUAFILTER AH-H10D SERIES

TWO PART FILTER HOUSINGS WITH DOUBLE O-RINGS ensures maximum leak-proof performance are available in a variety of colors and are made to store broad range of 2 1/2" x 9 7/8" diameter cartridges widely available on the market. Connections are available in 1/4", and 3/8" female NPT ports and 1/2", 3/4" and 1" female BSP ports

AQUAFILTER AH-H10D SERIES FILTER HOUSINGS are WRAS certified for material and structural integrity and ideal for typical applications as pre and post-filtration for RO systems, under sink filters, counter top systems, ice machines, food service and other residential and industrial applications.

WHITE SUMP

WHITE HEAD

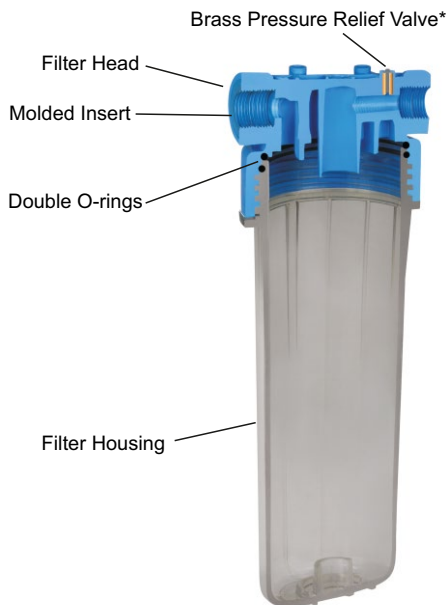


part no. **FHPLWW14-NPT-D** size **1/4" NPT**
FHPLWW38-NPT-D size **3/8" NPT**

TRANSPARENT SUMP



part no. **FHPLW14-NPT-D** size **1/4" NPT**
FHPLW38-NPT-D size **3/8" NPT**



BLUE SUMP

BLUE HEAD



part no. **FHPLN14-NPT-D** size **1/4" NPT**
FHPLN38-NPT-D size **3/8" NPT**
FHPLN12-BSP-D size **1/2" BSP***
FHPLN34-BSP-D size **3/4" BSP***
FHPLN1-BSP-D size **1" BSP***

TRANSPARENT SUMP



part no. **FHPL14-NPT-D** size **1/4" NPT**
FHPL38-NPT-D size **3/8" NPT**
FHPL12-BSP-D size **1/2" BSP***
FHPL34-BSP-D size **3/4" BSP***
FHPL1-BSP-D size **1" BSP***

TWO PART FILTER HOUSINGS

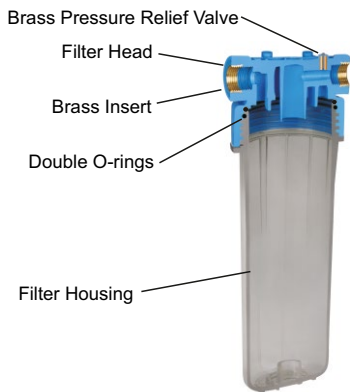
AH-H10B 10" DOUBLE O-RING FILTER HOUSINGS

AQUAFILTER AH-H10B SERIES

TWO PART FILTER HOUSINGS WITH DOUBLE O-RINGS ensures maximum leak-proof performance are available in a transparent or blue sump, blue head with pressure relief (PR) valve and are made to store broad range of 2 1/2" x 9 7/8" diameter cartridges widely available on the market. Brass insert connections are available in 1/2", 3/4" and 1" female BSP ports.

AQUAFILTER AH-H10B SERIES FILTER HOUSINGS are WRAS certified for material and structural integrity and ideal for typical applications as point of entry (POE) pre and post-filtration as well point of use (POU) such under sink filter systems, ice machines, food service and other residential and industrial applications.

Filter Housing Set includes: Filter housing, FCPS5 sediment 5 micron cartridge, mounting bracket with screws, wrench, and bacteriostatic filter centralizing ring packed in color box.



SINGLE

TRANSPARENT SUMP



part no.	size
FHPR12-B-AQ	1/2" BSP
FHPR34-B-AQ	3/4" BSP
FHPR1-B-AQ	1" BSP

BLUE SUMP



part no.	size
FHPRN12	1/2" BSP
FHPRN34	3/4" BSP
FHPRN1	1" BSP

SET



part no.	size
FHPR12-B1-AQ	1/2" BSP
FHPR34-B1-AQ	3/4" BSP
FHPR1-B1-AQ	1" BSP



part no.	size
FHPRN12-B1-AQ	1/2" BSP
FHPRN34-B1-AQ	3/4" BSP
FHPRN1-B1-AQ	1" BSP

AH-H10C 10" HIGH PRESSURE FILTER HOUSINGS

AQUAFILTER AH-H10C SERIES

TWO PART HIGH PRESSURE FILTER HOUSINGS WITH DOUBLE O-RINGS ensures maximum leak-proof performance manufactured with high-quality WRAS approved thicker material for strength and durability, are available in a transparent or blue sump, blue head with pressure relief (PR) valve and are made to store broad range of 2 1/2" x 9 7/8" diameter cartridges widely available on the market. Brass insert connections are available in 1/2", 3/4" and 1" female BSP ports.

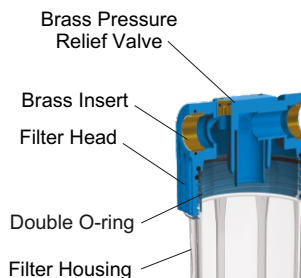
AQUAFILTER AH-H10C SERIES FILTER HOUSINGS are WRAS certified for material and structural integrity and ideal for typical applications as point of entry (POE) pre and post-filtration as well point of use (POU) such under sink filter systems, ice machines, food service and other residential commercial and light industrial applications.

Filter Housing Set includes: Filter housing, FCPS5 sediment 5 micron cartridge, mounting bracket with screws, wrench, and bacteriostatic filter centralizing ring packed in color box.

SET



part no.	size
FHPR12-HP1	1/2" BSP
FHPR34-HP1	3/4" BSP
FHPR1-HP1	1" BSP



THREE PART FILTER HOUSINGS

AH-H051020 5", 10" AND 20" THREE PART FILTER HOUSINGS



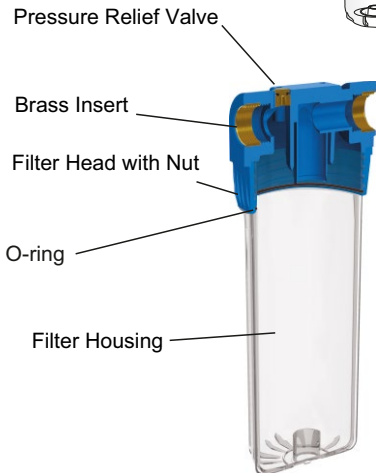
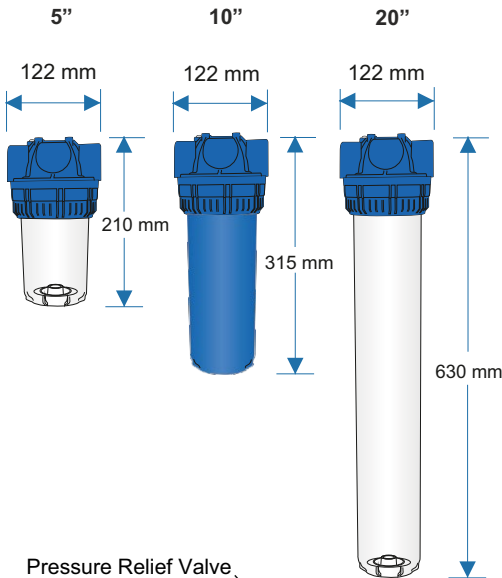
MOLDED INSERT

AQUAFILTER AH-H051020 SERIES

THREE PART FILTER HOUSINGS manufactured with high-quality WRAS approved material, are available in a transparent or blue sump, blue head with pressure relief (PR) valve and are made to store broad range of 2 1/2" x 4 7/8", 9 7/8" and 20" diameter cartridges widely available on the market. Connections are available in 1/2", 3/4" and 1" female BSP ports.

AQUAFILTER AH-H051020 SERIES FILTER HOUSINGS are WRAS certified for material and structural integrity and ideal for typical applications as point of entry (POE) pre and post-filtration as well point of use (POU) such under sink filter systems, ice machines, food service and other residential commercial and light industrial applications.

Filter Housing Set includes: Mounting bracket with screws, wrench, bacteriostatic filter centralizing ring packed in color box.



5 INCH

10 INCH

10 INCH SET

20 INCH

TRANSPARENT SUMP

BLUE SUMP

MOLDED INSERT



part no.	size
FHPL5-12-3BS	1/2" BSP
FHPL5-34-3BS	3/4" BSP
FHPL5-1-3BS	1" BSP

part no.	size
FHPLN5-12-3BS	1/2" BSP
FHPLN5-34-3BS	3/4" BSP
FHPLN5-1-3BS	1" BSP

MOLDED INSERT



part no.	size
FHPL12-3BS	1/2" BSP
FHPL34-3BS	3/4" BSP
FHPL1-3BS	1" BSP

part no.	size
FHPLN12-3BS	1/2" BSP
FHPLN34-3BS	3/4" BSP
FHPLN1-3BS	1" BSP

MOLDED INSERT



part no.	size
FHPL12-3B	1/2" BSP
FHPL34-3B	3/4" BSP
FHPL1-3B	1" BSP

part no.	size
FHPLN12-3B	1/2" BSP
FHPLN34-3B	3/4" BSP
FHPLN1-3B	1" BSP

MOLDED INSERT



part no.	size
FHPL12-3BS-L	1/2" BSP
FHPL34-3BS-L	3/4" BSP
FHPL1-3BS-L	1" BSP

part no.	size
FHPLN12-3BS-L	1/2" BSP
FHPLN34-3BS-L	3/4" BSP
FHPLN1-3BS-L	1" BSP

THREE PART FILTER HOUSINGS

AH-H051020 5", 10" AND 20" THREE PART FILTER HOUSINGS



BRASS INSERT

5 INCH

TRANSPARENT SUMP

BRASS INSERT



part no.	size
FHPR5-12-3BS	1/2" BSP
FHPR5-34-3BS	3/4" BSP
FHPR5-1-3BS	1" BSP

BLUE SUMP



part no.	size
FHPRN5-12-3BS	1/2" BSP
FHPRN5-34-3BS	3/4" BSP
FHPRN5-1-3BS	1" BSP

AQUAFILTER AH-H051020 SERIES

THREE PART FILTER HOUSINGS manufactured with high-quality WRAS approved material, are available in a transparent or blue sump, blue head with pressure relief (PR) valve and are made to store broad range of 2 1/2" x 4 7/8", 9 7/8" and 20" diameter cartridges widely available on the market. Brass insert connections are available in 1/2", 3/4" and 1" female BSP ports.

AQUAFILTER AH-H051020 SERIES FILTER HOUSINGS are WRAS certified for material and structural integrity and ideal for typical applications as point of entry (POE) pre and post-filtration as well point of use (POU) such under sink filter systems, ice machines, food service and other residential commercial and light industrial applications.

Filter Housing Set includes: Mounting bracket with screws, wrench, bacteriostatic filter centralizing ring packed in color box.

10 INCH

BRASS INSERT



part no.	size
FHPR12-3BS	1/2" BSP
FHPR34-3BS	3/4" BSP
FHPR1-3BS	1" BSP



part no.	size
FHPRN12-3BS	1/2" BSP
FHPRN34-3BS	3/4" BSP
FHPRN1-3BS	1" BSP

10 INCH SET

BRASS INSERT



part no.	size
FHPR12-3B	1/2" BSP
FHPR34-3B	3/4" BSP
FHPR1-3B	1" BSP



part no.	size
FHPRN12-3B	1/2" BSP
FHPRN34-3B	3/4" BSP
FHPRN1-3B	1" BSP

20 INCH

BRASS INSERT



part no.	size
FHPR12-3BS-L	1/2" BSP
FHPR34-3BS-L	3/4" BSP
FHPR1-3BS-L	1" BSP



part no.	size
FHPRN12-3BS-L	1/2" BSP
FHPRN34-3BS-L	3/4" BSP
FHPRN1-3BS-L	1" BSP



THREE PART FILTER HOUSINGS

AH-H05A 5" THREE PART SLIM FILTER HOUSINGS

AQUAFILTER AH-H05A SERIES

THREE PART FILTER HOUSINGS manufactured with high-quality WRAS approved material, are available in a transparent or blue sump, blue head with pressure relief (PR) valve and are made to store broad range of 2 1/2" x 4 7/8" diameter cartridges widely available on the market. Brass insert connections are available in 1/2", 3/4" and 1" female BSP ports.

AQUAFILTER AH-H05A SERIES FILTER HOUSINGS are WRAS certified for material and structural integrity and ideal for typical applications as point of entry (POE) pre and post-filtration as well point of use (POU) such under sink filter systems, ice machines, food service and other residential commercial and light industrial applications.

Filter Housing Set includes: Filter housing, mounting bracket with screws, and wrench, packed in color box.

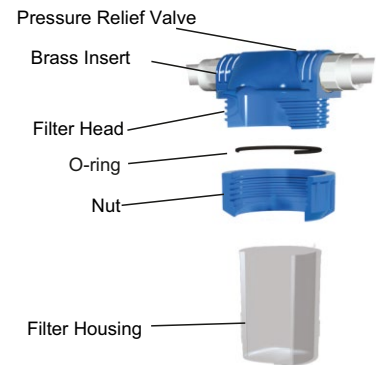
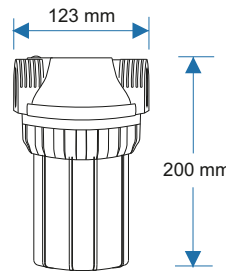
SINGLE



SET



part no.	size	part no.	size
FHPR5-12	1/2" BSP	FHPR5-12-WB	1/2" BSP
FHPR5-34	3/4" BSP	FHPR5-34-WB	3/4" BSP
FHPR5-1	1" BSP	FHPR5-1-WB	1" BSP



AH-H10G 10" THREE PART SLIM LINE FILTER HOUSINGS

AQUAFILTER AH-H10G SERIES

THREE PART FILTER HOUSINGS manufactured with high-quality WRAS approved material, are available in a transparent or blue sump, blue head with pressure relief (PR) valve and are made to store broad range of 2 1/2" x 9 7/8" diameter cartridges widely available on the market. Brass insert connections are available in 1/2", 3/4" and 1" female BSP ports.

The green sump and green head are made from special bacteriostatic and UV protection materials for special applications.

AQUAFILTER AH-H10G SERIES FILTER HOUSINGS are WRAS certified for material and structural integrity and ideal for typical applications as point of entry (POE) pre and post-filtration as well point of use (POU) such under sink filter systems, ice machines, food service and other residential commercial and light industrial applications.

Filter Housing Set includes: Filter housing, mounting bracket with screws and wrench packed in color box.

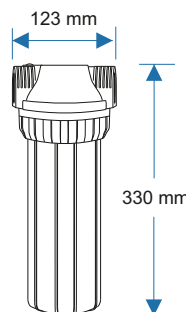
SINGLE



SET



part no.	size	part no.	size
FHPR12-3S	1/2" BSP	FHPR12-3_R	1/2" BSP
FHPR34-3S	3/4" BSP	FHPR34-3_R	3/4" BSP
FHPR1-3S	1" BSP	FHPR1-3_R	1" BSP



SET



part no.	size
FHPR34-3_R-AB	3/4" BSP
FHPR1-3_R-AB	1" BSP

THREE PART SPIN-DOWN FILTER HOUSINGS

AH-H10G 10" THREE PART SPIN-DOWN FILTER HOUSINGS

AQUAFILTER AH-H10G SERIES

THREE PART SPIN-DOWN FILTER HOUSINGS are equipped with a drain valve enabling flushing sediments from the housing without removing filter cartridge (applicable with multi-use cartridges FCPNN series). Manufactured with high-quality WRAS approved material, are available in a transparent sump, blue head with pressure relief (PR) valve and are made to store special range of 2 1/2" x 9 7/8" diameter FCPNN. Brass insert connections in 1/2", 3/4" and 1" female BSP ports.

The green sump and green head are made from special bacteriostatic and UV protection materials for special applications.

AQUAFILTER AH-H10G SERIES FILTER HOUSINGS are WRAS certified for material and structural integrity and ideal for typical applications as point of entry (POE) pre filtration systems, food service and other residential commercial and light industrial applications.

Filter Housing Set includes: Filter housing, mounting bracket with screws and wrench packed in color box.

HOW SPIN-DOWN FILTER WORKS



Water enters from the top of a spin-down filter and spins in a centrifugal motion. The design of the head diverts water so it circulates the water through the filter housing, this forces the dirt and debris to be pushed to the outside of the clear housing and will settle in the bottom. To release all of that dirt and debris from the housing, you must periodically open the valve.



Multi-use single open end sediment filter cartridges (nylon mesh) for cold water

Part no.	Size
FCPNN50M	50 mic.
FCPNN100M	100 mic.
FCPNN150M	150 mic.

SINGLE



part no.	size
FHPR12-3VS	1/2" BSP
FHPR34-3VS	3/4" BSP
FHPR1-3VS	1" BSP

SET

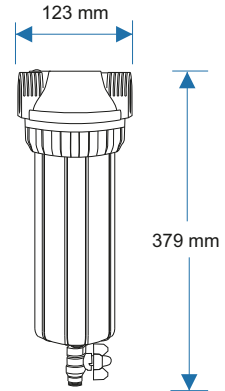


part no.	size
FHPR12-3V_R	1/2" BSP
FHPR34-3V_R	3/4" BSP
FHPR1-3V_R	1" BSP

SET



part no.	size
FHPR34-3V_R-AB	3/4" BSP
FHPR1-3V_R-AB	1" BSP



THREE PART SPIN-DOWN FILTER HOUSINGS

AH-H3SLV THREE PART SPIN-DOWN FILTER HOUSINGS

AQUAFILTER AH-H3SLV SERIES
THREE PART SPECIAL SPIN-DOWN FILTER HOUSINGS are equipped with a drain valve enabling flushing sediments from the housing without removing special multi-use filter cartridge. Manufactured with high-quality WRAS approved material, are available in a transparent sump, blue head with brass insert connections in 1/2" female BSP port.

AQUAFILTER AH-H3SLV SERIES FILTER HOUSINGS are WRAS certified for material and structural integrity and ideal for typical applications as point of entry (POE) pre filtration systems, food service, antiscaling protection and other residential commercial and light industrial applications.

Filter housing fits standard mounting bracket.



Filter for polyphosphate dosing to increase the capacity to transform limestone and protect equipment and installations. Protects the equipment against scale and fouling, improving heating efficiency and significantly reducing energy consumption.



Filter for polyphosphate dosing to increase the capacity to transform limestone and protect equipment and installations. Protects the equipment against scale and fouling, improving heating efficiency and significantly reducing energy consumption. Equipped with drain valve, to discharge dirt, all you need to do is open the ball valve drain at the bottom of the filter.



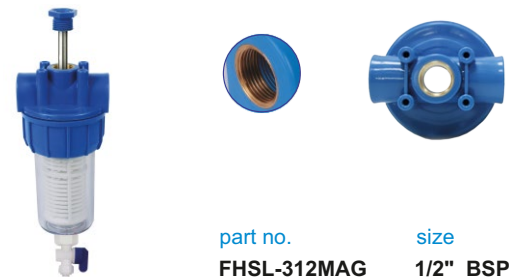
The filter is designed to filter water at the point of entry into the system. It features a current-flow washing system that greatly facilitates cleaning of the filter cartridge. To discharge dirt, all you need to do is open the ball valve drain at the bottom of the filter.



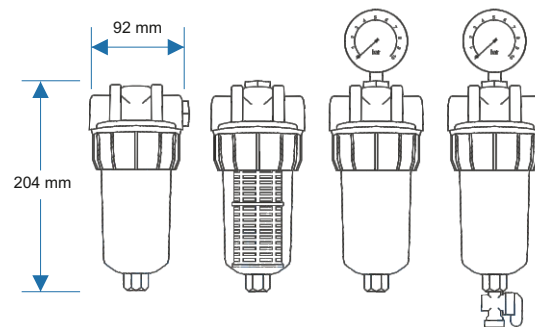
Filter for polyphosphate dosing to increase the capacity to transform limestone and protect equipment and installations. Protects the equipment against scale and fouling, improving heating efficiency and significantly reducing energy consumption.



Filter for polyphosphate dosing to increase the capacity to transform limestone and protect equipment and installations. Protects the equipment against scale and fouling, improving heating efficiency and significantly reducing energy consumption. Equipped with drain valve, to discharge dirt, all you need to do is open the ball valve drain at the bottom of the filter.



Magnetic Filter eliminates ferrous debris from the fluids, enters through the flow passage between the magnet and the clean fluid exits through the discharge port of the housing, with very low pressure drop.



SPECIAL FILTER HOUSINGS

AH-H105 10" HIGH TEMPERATURE FILTER HOUSINGS



part no.	size
FHHOT12-WB	1/2" BSP
FHHOT34-WB	3/4" BSP

AQUAFILTER AH-H105 SERIES

TWO PART HIGH TEMPERATURE FILTER HOUSINGS WITH DOUBLE O-RINGS ensures maximum leak-proof performance manufactured with high-quality special thicker material for high temperature resistance, are available in a gray sump, gray head with pressure relief (PR) valve and are made to store special FCPHH range of 2 1/2" x 9 7/8" diameter cartridges. Brass insert connections in 1/2" and 3/4" female BSP ports.

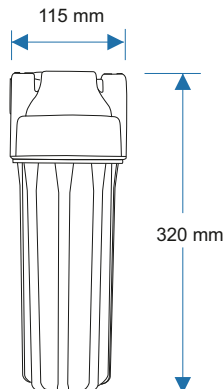
AQUAFILTER AH-H105 SERIES FILTER HOUSINGS are ideal ideal for high temperature use and many other applications like sea water, organic solvents, alcohol and vegetable oils, other residential commercial and light industrial applications. Economical alternative to stainless steel housings.

Filter Housing Set includes: Filter housing, mounting bracket with screws, wrench, packed in color box.

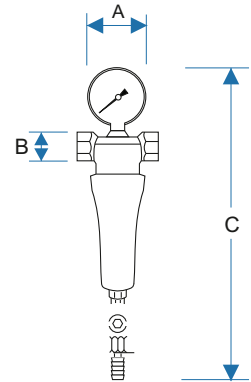


Multi-use single open end sediment filter cartridges (nylon mesh) for cold water

Part no.	Size
FCPHH50M	50 mic.
FCPHH100M	100 mic.
FCPHH150M	150 mic.



AH-HSH1 BRASS SEDIMENT FILTER



part no.	size
FHMB12	1/2" BSP
FHMB34	3/4" BSP
FHMB1	1" BSP

Brass, nickel-coated sediment filter, stainless steel screen cartridge of 100 µm; pressure gauge and drain valve.

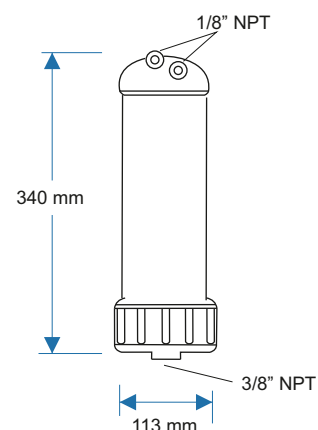
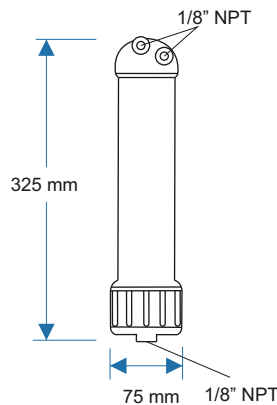
	FHMB12	FHMB34	FHMB1
A	56 (+/-3) mm	63 (+/-3) mm	73 (+/-3) mm
B	1/2" BSP	3/4" BSP	1" BSP
C	283 (+/-3) mm	283 (+/-3) mm	286 (+/-3) mm

AH-HM20 RO MEMBRANE HOUSINGS

AQUAFILTER AH-HM20 SERIES MEMBRANE HOUSINGS are manufactured with high-quality WRAS approved thicker material for strength and durability with dual O-rings. The housing will accommodate most standard residential membrane elements, available in white color, for use in Reverse Osmosis Water Treatment Systems.



part no.	size	part no.	size
YT-25W	3x1/8" NPT	YT-3-3814W	1x3/8" NPT 2x1/8" NPT



BIG BLUE FILTER HOUSINGS

Big Blue filter housings offer the versatility to meet all of your large capacity filtration needs, including high-flow and heavy-sediment applications. The extra large housing allows for greater cartridge capacity, reducing the number of vessels required for high flow-rate applications. Sumps are constructed of durable polypropylene and are available in both 10" and 20" lengths.

The high-flow polypropylene cap are available with 1", 1 1/4" and 1 1/2" molded insert inlet and outlet ports.

Big Blue housings are compatible with a broad range of chemicals and are available with pressure-relief button, plastic mounting bracket with screws, wrench, pressure gauge, nickel extension to the pressure gauge, bacteriostatic filter centralizing ring.

They accept a wide variety of 4 1/2" diameter cartridges in either 10" or 20" lengths.

Features:

- High quality
- WRAS certificate
- FDA CFR Title 21 Compliance
- Competitive Pricing
- Factory Tested
- Domestic and commercial use
- Large capacity housing suitable for high flow applications
- Pressure relief valve on inlet and outlet of filter head
- Ideal for POE use
- Easy to connect to cold water inlet
- Full flow 1", 1 1/4", 1 1/2" ports
- Made in EU with High Performance Components

AH-HB1D 10" BIG BLUE



part no.	size
FH10B1_M	1" BSP
FH10B54_M	1 1/4" BSP
FH10B64_M	1 1/2" BSP

10" Big Blue filter housings BSP inlet/outlet equipt with two pressure relief valves. For cold water. Made in the EU.

part no.	size
FH10B1-WB	1" BSP
FH10B54-WB	1 1/4" BSP
FH10B64-WB	1 1/2" BSP

10" Big Blue filter housings BSP inlet/outlet equipt with two pressure relief valves, mounting bracket with screws, wrench, bacteriostatic filter centralizing ring, color box. For cold water. Made in the EU

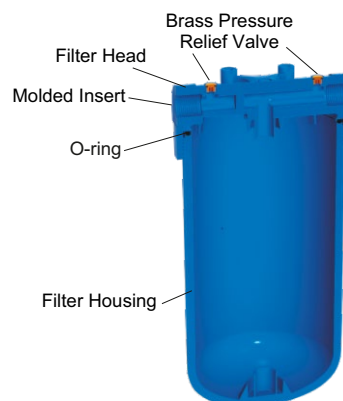
AH-HB2D 20" BIG BLUE



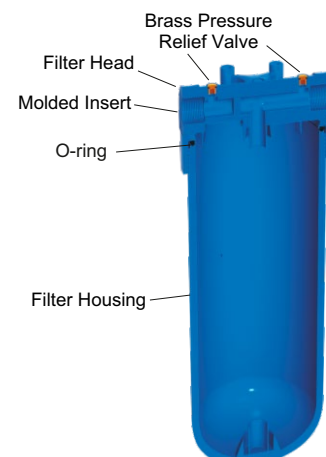
part no.	size
FH20B1_L	1" BSP
FH20B54_L	1 1/4" BSP
FH20B64_L	1 1/2" BSP

part no.	size
FH20B1-WB	1" BSP
FH20B54-WB	1 1/4" BSP
FH20B64-WB	1 1/2" BSP

10" BIG BLUE



20" BIG BLUE



BIG BLUE FILTER HOUSINGS WITH BRASS INSERTS

Big Blue filter housings offer the versatility to meet all of your large capacity filtration needs, including high-flow and heavy-sediment applications. The extra large housing allows for greater cartridge capacity, reducing the number of vessels required for high flow-rate applications. Sumps are constructed of durable polypropylene and are available in both 10" and 20" lengths. They accept a wide variety of 41/2" diameter cartridges in either 10" or 20" lengths.

The high-flow polypropylene cap are available with 1", 1 1/4", 1 1/2" brass insert inlet and outlet ports with two pressure relief valves. Big Blue housings are compatible with a broad range of chemicals and are equip with pressure-relief button, plastic mounting bracket with screws, wrench, pressure gauge, nickel extension to the pressure gauge, bacteriostatic filter centralizing ring.

Features:

- High quality
- WRAS certificate
- FDA CFR Title 21 Compliance
- Competitive Pricing
- Factory Tested
- Domestic and commercial use
- Large capacity housing suitable for high flow applications
- Pressure relief valve on inlet and outlet of filter head
- Ideal for POE use
- Easy to connect to cold water inlet
- Full flow 1", 1 1/4", 1 1/2" ports
- Made in EU with High Performance Components

Set includes: Big Blue type filter housing, plastic mounting bracket with screws, wrench, pressure gauge, nickel extension to the pressure gauge, bacteriostatic filter centralizing ring packed in color box.

AH-HB1B 10" BIG BLUE



part no. **FH10B1_B** size **1" BSP**

10" Big Blue filter housings BSP brass inlet/outlet equip with two pressure relief valves packed in color box.



part no. **FH10B1-B-WB** size **1" BSP**

10" Big Blue filter housings BSP brass inlet/outlet equip with two pressure relief valves, pressure gauge, nickel extension to the pressure gauge, mounting bracket with screws, wrench, bacteriostatic filter centralizing ring packed in color box.

AH-HB2B 20" BIG BLUE



part no. **FH20B1_B** size **1" BSP**

20" Big Blue filter housings with brass BSP inlet/outlet equip with two pressure relief valves packed in color box.

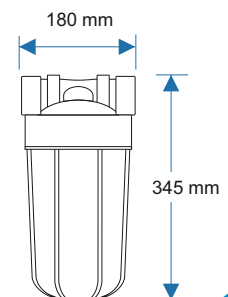
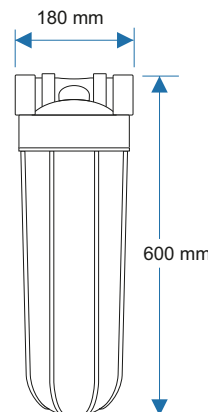
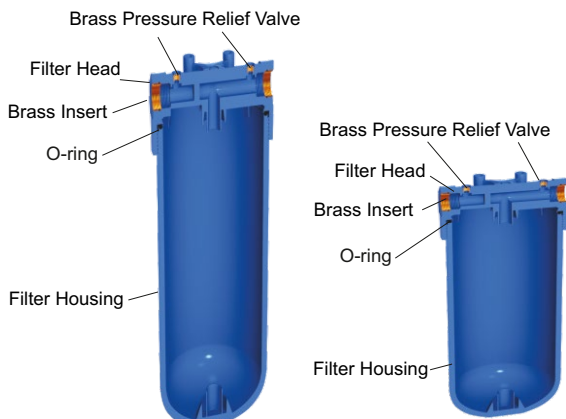


part no. **FH20B1-B-WB** size **1" BSP**

20" Big Blue filter housings with brass BSP inlet/outlet equip with two pressure relief valves, pressure gauge, nickel extension to the pressure gauge, mounting bracket with screws, wrench, bacteriostatic filter centralizing ring, packed in color box.

20" BIG BLUE

10" BIG BLUE



SUPER SLIM TWO PART FILTER HOUSINGS

AH-SLIM TWO PART SUPER SLIM FILTER HOUSINGS



EKOPF4-SLIM1 **EKOPF4-SLIM2** **EKOPF4-SLIM3** **EKOPF4-SLIM4**

Super Slim filter housing with white or transparent sump, white cap 1/4 female QF. Working with a wide range of UDF-SL cartridges.

Super Slim filter housing with transparent or black sump, black cap, 1/4 female QF. Working with a wide range of UDF-SL cartridges.

General Description:

AH-SLIM Filter Housing. Economical and low cost Push-in cartridge water filtration system. This new, clear filter housing is specially designed for multiple uses. Ideal for domestic family homes, it conveniently fits under the kitchen sink and effectively contains the desired cartridge.

Features:

- High quality
- Competitive pricing
- Domestic and commercial use
- Works in water coolers and other applications
- Additional equipment - filter bracket and cover
- Filter housing is equipt with quick connectors 1/4"
- Super strong filter housing
- Multi-use option
- Low cost maintenance
- Easy to install
- Compact size for any kitchen under counter cabinets and any other application
- Made in the EU



AH-SLIM

	CATALOG NUMBER	DESCRIPTION
	FCPS5-SL	Sediment Pre-Filter Melt-blown polypropylene
	FCCBL-SL	Carbon Cartridge Pre-Filter Extruded activated carbon with other treatment media
	FCCM-SL	Post-Carbon Filter-Antibacterial Mineralization 3 in one Coconut shell activated carbon Re-Mineralization Filter Cartridge Antibacterial/Antimicrobial protection
	FCCST2-SL	Ion exchange 2 in one High quality ion exchange resin
	TLCHF-SL	Ultrafiltration membrane (UF) Ultrafiltration separation mechanism is commonly attributed to the pore size of the membrane as low as 0,01 micron .
	FCCFE-SL	Iron reduction High quality media
	FCCBHD-SL	UDF Coconut Shell Carbon Coconut shell activated carbon
	FCCST-SL	Ion exchange High quality ion exchange resin
	FCCKDF-SL	UDF Coconut Shell Carbon Coconut shell activated carbon with KDF
	FCPS-AB-SL	Sediment Antibacterial Nanosilver technology



SALES@AQUAFILTER.COM



DISTRIBUTOR

more info



ALL AQUAFILTER IMAGES, TRADEMARKS, LOGOS AND OTHER INTELLECTUAL PROPERTY ARE THE SOLE AND EXCLUSIVE PROPERTY OF AQUAFILTER INC. AND MAY NOT BE USED WITHOUT OUR EXPRESS WRITTEN PERMISSION.



Made in EU



AQUAFILTER EUROPE

UL. ŚW. TERESY 101
91-222 ŁÓDŹ, POLAND

WWW.AQUAFILTER.COM



**AQUAFILTER
GERMANY**



AQUAFILTER BELARUS

ADVANTA SYSTEM,
KRASNOGARDEYSKAYA
114B/5 224024 BREST,
BELARUS

